

各式場所 悶熱 異味 粉塵 煙霧 完美解決方案

外型典雅 | 目標必達 | 控溫即速

We care about your needs



台灣製品



保固一年



永久服務



VENTILATION PRODUCTS FOR
POULTRY & LIVESTOCK APPLICATION
畜牧專用



Yarak Safe Deft

雅速達股份有限公司

台中總公司

42073 台中市豐原區三豐路二段549巷332號

☎ / 04-25278062 (代表號) 📠 / 04-25291238 / 04-25293889

📧 / sales@yasuda.com.tw



銘崙電機工業股份有限公司 (專業馬達廠)



立即服務

0800-258-168

<本公司保留產品設變權>



AC Design 04-27071159



Yarak Safe Deft

雅 速 達



EXHAUST
FAN
SERIES

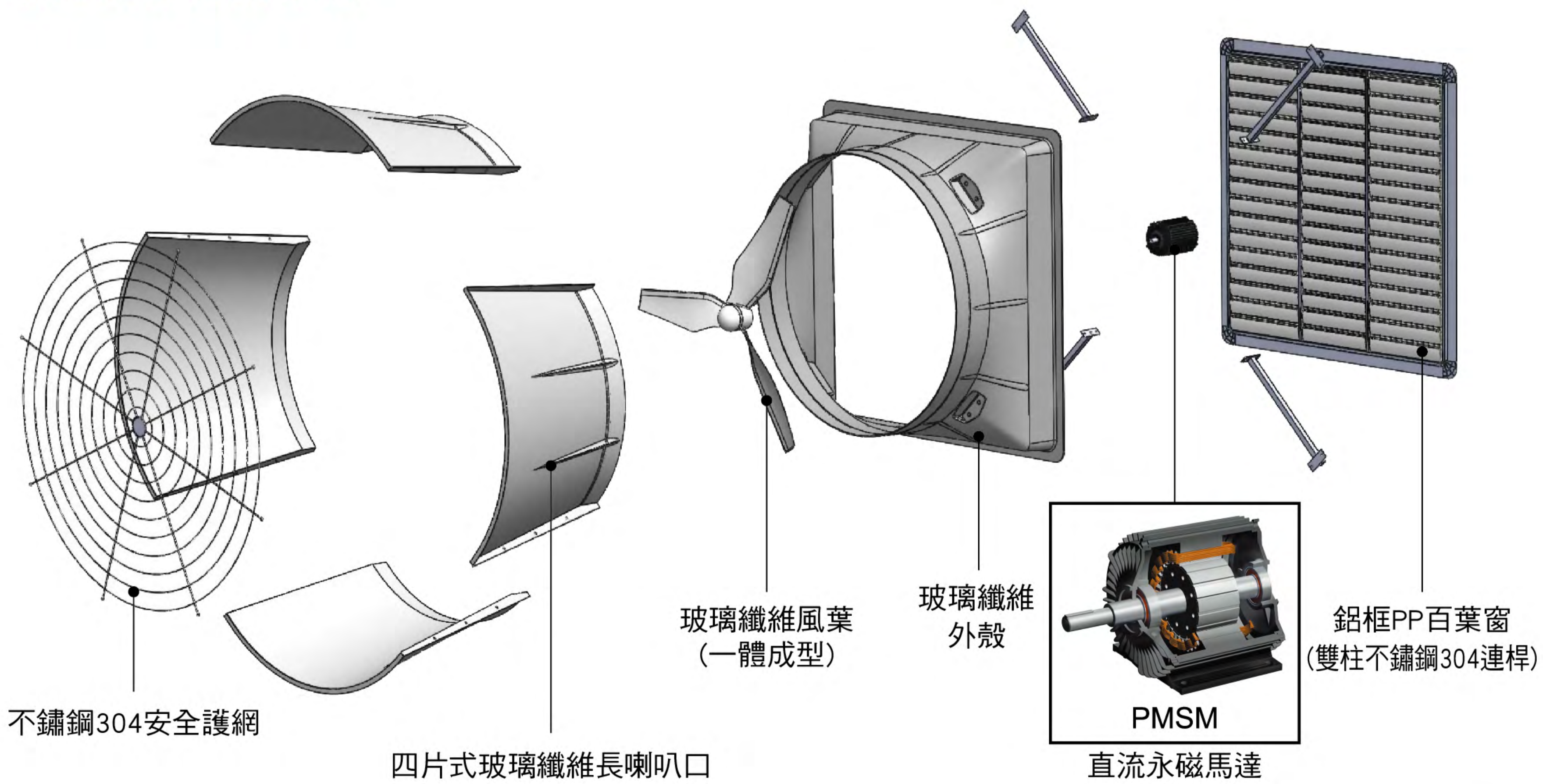
K300DL



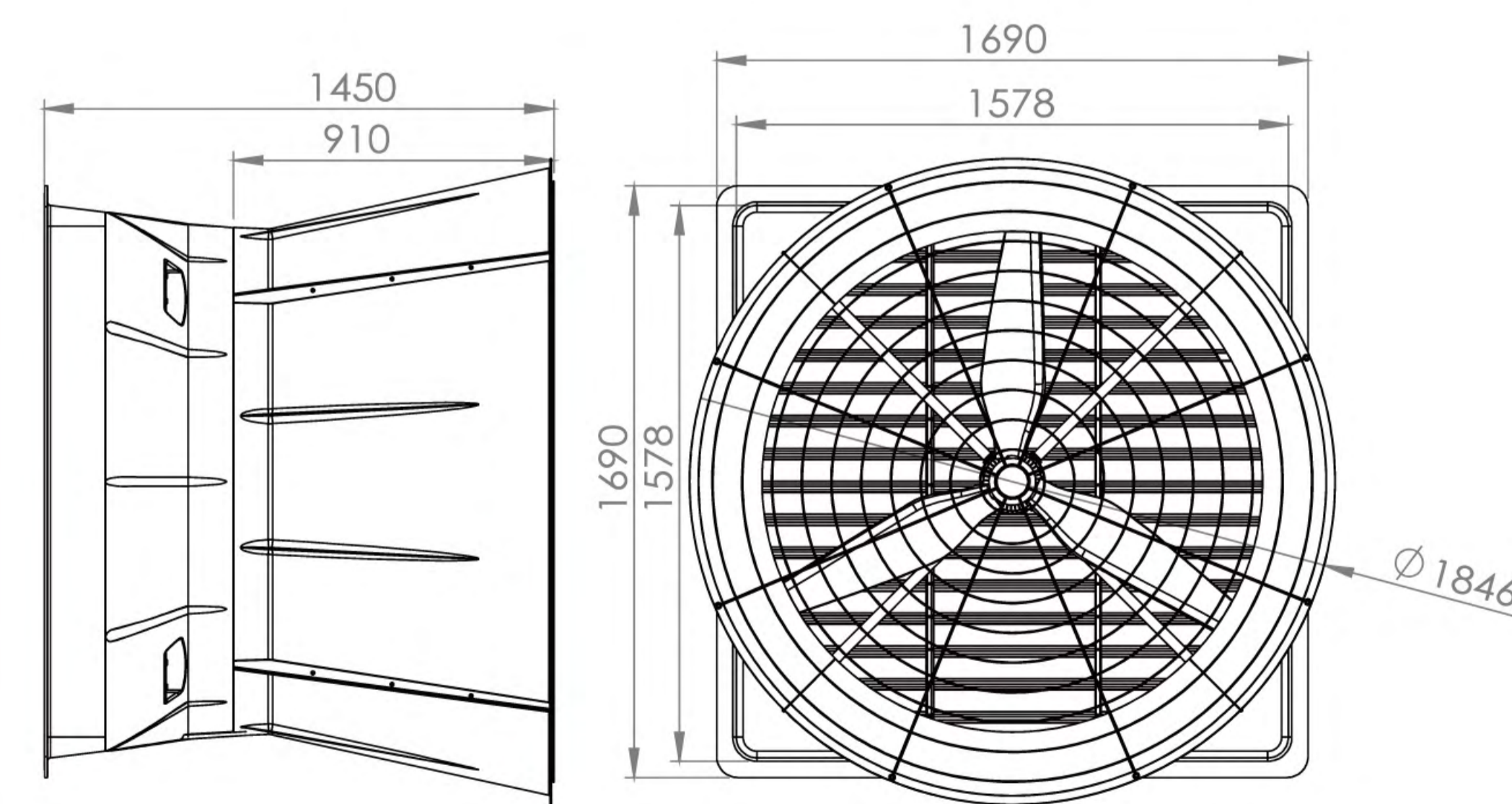
K300DL 產品功能及特點

- 畜舍專用，57" 超大型機種，國內生產最大尺寸負壓排風扇，換氣效率極高。
- 低耗能，高風量(壓)，搭配導風口效能更佳。
- 外殼與葉片採用SMC玻璃纖維材質，模壓一體成形，耐候性佳，強度高。
- 可依選配AC或PMSM直流永磁馬達。

K300DL 產品介紹



風扇尺寸圖



產品規格

型號	K300DL
外殼	SMC 玻璃纖維
風葉	57" 三葉SMC玻璃纖維
馬達	1.1 KW PMSM 直流永磁馬達，F級
極數	16 Poles
轉速	680 RPM
音量	79 dB (距 3m 測得)
電壓	1 φ 220V, 60Hz (可訂製)
電流	5.8 A
耗電量	1160 w/hr
風量	55800 CMH
尺寸	L169xW145xH169 cm
重量	114 kg

(音量數據僅參考用，實際分貝值因安裝方式及使用環境而異。)



EXHAUST
FAN
SERIES

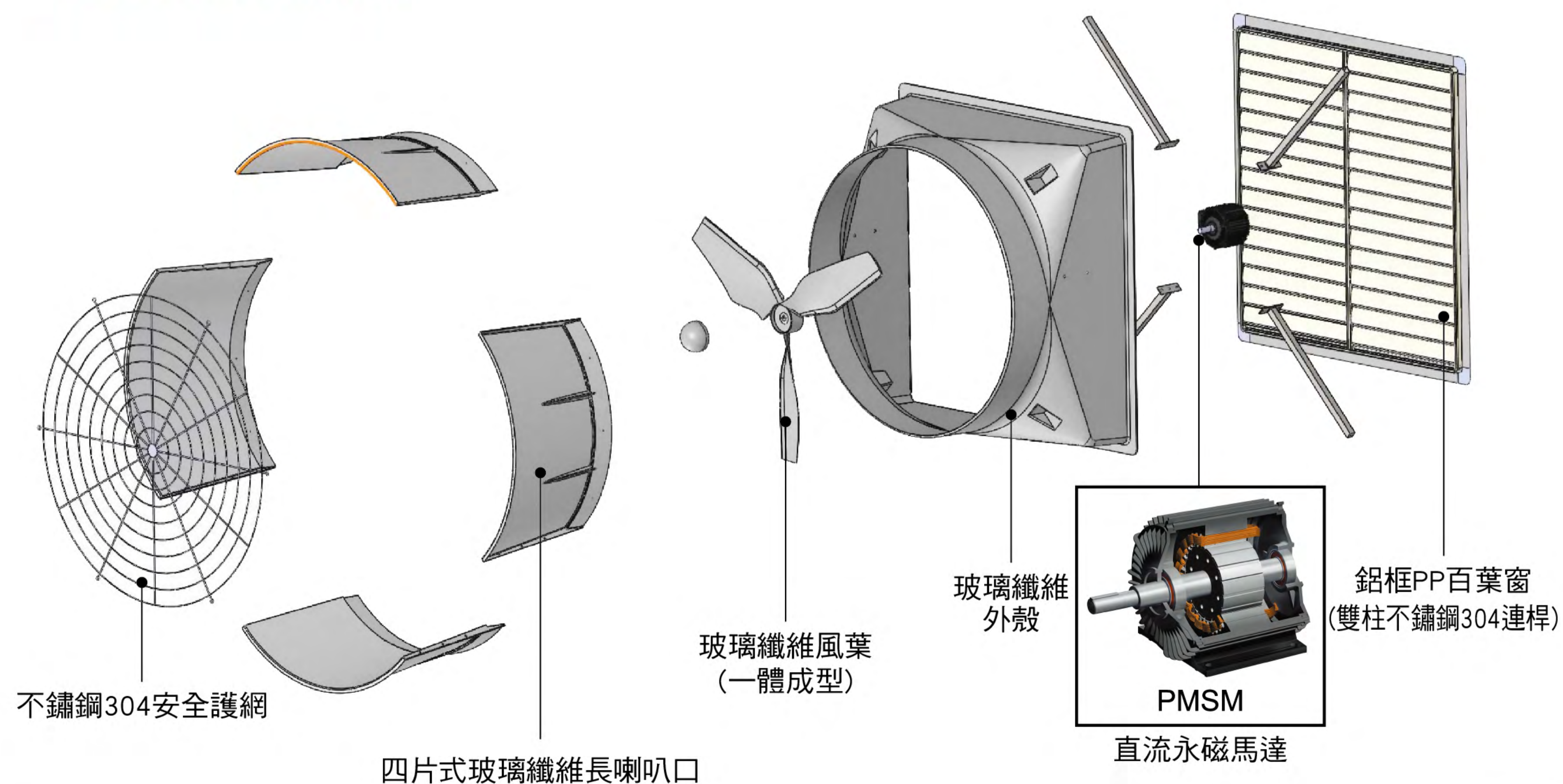
N-C300DL



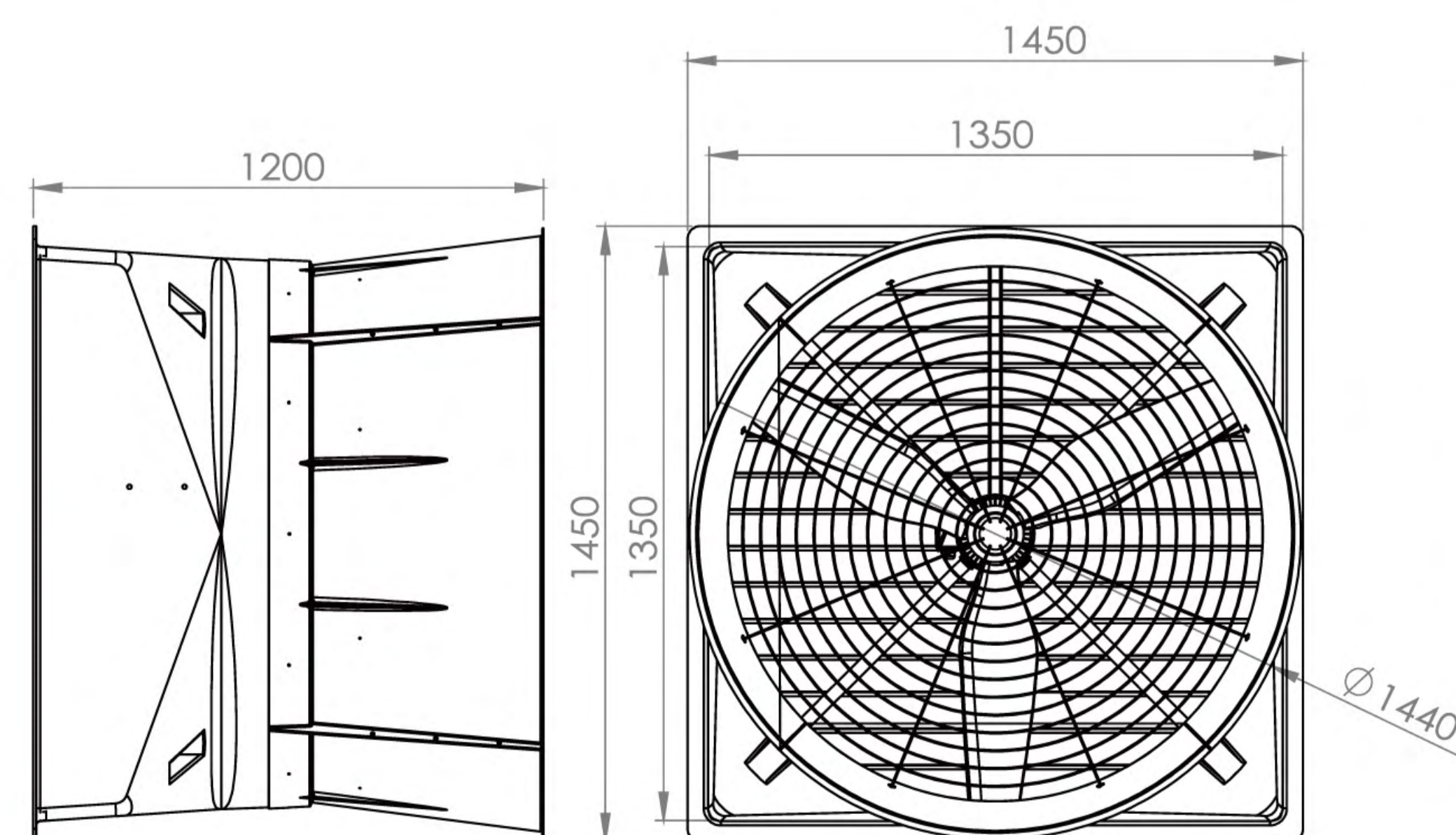
N-C300DL 產品功能及特點

- 專為畜舍設計，50"大型負壓排風扇。
- 高效率，節能省電，大風量機種。
- 一體成形，高強度外殼及風葉，耐候性佳。
- 可選配AC或PMSM直流永磁馬達。

N-C300DL 產品介紹



風扇尺寸圖



產品規格

型號	N-C300DL
外殼	SMC 玻璃纖維
風葉	50" 三葉SMC玻璃纖維
馬達	1.1 KW PMSM 直流永磁馬達，F級
極數	16 Poles
轉速	680 RPM
音量	75 dB (距 3m 測得)
電壓	1 ϕ 220V, 60Hz (可訂製)
電流	3.91 A
耗電量	848 w/hr
風量	36900 CMH
尺寸	L145xW122xH145 cm
重量	99 kg



Yah Suh Dar
雅 速 達

VENTILATION PRODUCTS FOR POULTRY & LIVESTOCK APPLICATION

University of Illinois Department of Agricultural and Biological Engineering
Bioenvironmental and Structural Systems Lab
Final Report

Project Number: 18487
Test Date: October 2, 2018

Fan:
Make- *Yah Suh Dar*
Model- *K300DL*
Blade dia.- *56.5"*
Orifice dia.- *57.1"*

Motor:
Make- *Yah Suh Dar*
Model- *BLDC*
Hp- *1100 W*
RPM- *680*
Volts- *220*
Amps- *6*
Hz- *50/60 Hz*
Phase- *Single*
S. F.- *-*

Shutter:
Material- *none*
Doors- *-*
Columns- *-*
Door length- *-*
Location- *-*

Blade:
Number- *3*
Shape- *propeller*
Material- *fiberglass*
Pitch- *-*
Clearance- *0.3"*

Blade:
Number- *3*
Shape- *propeller*
Material- *fiberglass*
Pitch- *-*
Clearance- *0.3"*

Drive Sheaves:
Drive dia.- *direct*
Axle dia.- *drive*

Housing:
Material- *fiberglass*

Discharge Cone:
Depth- *36.5"*
Minor dia.- *57.1"*
Major dia.- *70.5"*

Guards:
Description- *wire*
Spacing- *3.4" concentric*
Location- *exhaust*

Notes: *Single phase, 60 Hz, 220 VAC input to speed controller. Controller set at maximum speed setting.
*No shutter.

Test Conditions:

T(wb) F: 67 Barometric pressure, recorded 29.41
T(db) F: 79 Barometric Pressure, corrected 29.28 (In. Hg)

Static Pressure (in.H2O)	Airflow (cfm)	rpm	Volts	Amps	Watts	cfm/Watt	SI Units			
							Static Pressure (Pa)	Airflow (m ³ /hr.)	(m ³ /hr)/W	W/1000m ³ /hr
0.00	32900	676	219.9	5.86	1160	28.3	0	55800	48.1	21
0.05	31200	675	219.2	6.13	1249	24.9	12	52900	42.4	24
0.10	29400	674	219.2	6.38	1322	22.2	25	49900	37.8	26
0.15	27500	674	220.5	6.54	1380	19.9	37	46700	33.9	30
0.20	25700	674	220.5	6.66	1420	18.1	50	43600	30.7	33
0.25	23000	675	219.8	6.76	1453	15.8	62	39100	26.9	37
0.30	19700	675	220.3	6.72	1442	13.7	75	33500	23.2	43

University of Illinois Department of Agricultural and Biological Engineering
Bioenvironmental and Structural Systems Lab
Final Report

Project Number: 18488
Test Date: October 2, 2018

Fan:
Make- *Yah Suh Dar*
Model- *K300DL*
Blade dia.- *56.5"*
Orifice dia.- *57.1"*

Motor:
Make- *Yah Suh Dar*
Model- *BLDC*
Hp- *1100 W*
RPM- *680*
Volts- *220*
Amps- *-*
Hz- *50/60 Hz*
Phase- *Single*
S. F.- *-*

Shutter:
Material- *plastic w/ aluminum frame*
Doors- *16 per column*
Columns- *3*
Door length *17.9*
Location- *intake*

Blade:
Number- *3*
Shape- *propeller*
Material- *fiberglass*
Pitch- *-*
Clearance- *0.3"*

Blade:
Number- *3*
Shape- *propeller*
Material- *fiberglass*
Pitch- *-*
Clearance- *0.3"*

Drive Sheaves:
Drive dia.- *direct*
Axle dia.- *drive*

Housing:
Material- *fiberglass*

Discharge Cone:
Depth- *36.5"*
Minor dia.- *57.1"*
Major dia.- *70.5"*

Guards:
Description- *wire*
Spacing- *3.4" concentric*
Location- *exhaust*



Notes: *Single phase, 60 Hz, 220 VAC input to speed controller. Controller set at maximum speed setting.

Test Conditions:

T(wb) F: 66 Barometric pressure, recorded 29.41
T(db) F: 78.5 Barometric Pressure, corrected 29.28 (In. Hg)

Static Pressure (in.H2O)	Airflow (cfm)	rpm	Volts	Amps	Watts	cfm/Watt	SI Units			
							Static Pressure (Pa)	Airflow (m ³ /hr.)	(m ³ /hr)/W	W/1000m ³ /hr
0.00	30100	675	221.3	6.15	1259	23.9	0	51100	40.6	25
0.05	28500	675	219.4	6.37	1319	21.6	12	48400	36.7	27
0.10	26600	675	219.1	6.54	1372	19.4	25	45200	33	30
0.15	24600	675	220.4	6.62	1411	17.4	37	41700	29.6	34
0.20	22200	674	220.5	6.68	1429	15.6	50	37800	26.4	38
0.25	18500	675	220.6	6.63	1413	13.1	62	31400	22.2	45
0.30	13300	675	220.6	6.51	1377	9.7	75	22600	16.4	61

University of Illinois Department of Agricultural and Biological Engineering
Bioenvironmental and Structural Systems Lab
Final Report

Project Number: 18489
Test Date: October 3, 2018

Fan:
Make- *Yah Suh Dar*
Model- *K300DL*
Blade dia.- *56.5"*
Orifice dia.- *57.1"*

Motor:
Make- *Yah Suh Dar*
Model- *BLDC*
Hp- *1100 W*
RPM- *730*
Volts- *380*
Amps- *2.9*
Hz- *50/60 Hz*
Phase- *Three*
S. F.- *-*

Shutter:
Material- *plastic w/ aluminum frame*
Doors- *16 per column*
Columns- *3*
Door length *17.9*
Location- *intake*

Blade:
Number- *3*
Shape- *propeller*
Material- *fiberglass*
Pitch- *-*
Clearance- *0.3"*

Blade:
Number- *3*
Shape- *propeller*
Material- *fiberglass*
Pitch- *-*
Clearance- *0.3"*

Drive Sheaves:
Drive dia.- *direct*
Axle dia.- *drive*

Housing:
Material- *fiberglass*

Discharge Cone:
Depth- *36.5"*
Minor dia.- *57.1"*
Major dia.- *70.5"*

Guards:
Description- *wire*
Spacing- *3.4" concentric*
Location- *exhaust*



Notes: *Three phase, 50 Hz, 400 VAC input to motor drive.
*Dtech AC Motor drive. Model ADT-8760DRV

Test Conditions:

T(wb) F: 65 Barometric pressure, recorded 29.34
T(db) F: 78 Barometric Pressure, corrected 29.21 (In. Hg)

Static Pressure (in.H2O)	Airflow (cfm)	rpm	Volts	Amps	Watts	cfm/Watt	SI Units			
							Static Pressure (Pa)	Airflow (m ³ /hr.)	(m ³ /hr)/W	W/1000m ³ /hr
0.00	32300	731	399.7	2.37	1546	20.9	0	54900	35.5	28
0.05	30800	731	399.8	2.47	1610	19.2	12	52400	32.5	31
0.10	29400	731	400.0	2.56	1669	17.6	25	49900	29.9	33
0.15	27700	731	400.2	2.63	1715	16.1	37	47000	27.4	36
0.20	25600	737	400.2	2.70	1760	14.5	50	43400	24.7	41
0.25	23300	731	400.2	2.71	1771	13.1	62	39500	22.3	45
0.30	20700	731	400.3	2.68	1750	11.8	75	35200	20.1	50

University of Illinois Department of Agricultural and Biological Engineering
Bioenvironmental and Structural Systems Lab
Final Report

Project Number: 18490
Test Date: October 3, 2018

Fan:
Make- *Yah Suh Dar*
Model- *K300DL*
Blade dia.- *56.5"*
Orifice dia.- *57.1"*

Motor:
Make- *Yah Suh Dar*
Model- *AC-AEUV*
Hp- *2 (1.5 kW)*
RPM- *700*
Volts- *220-240 / 380-415*
Amps- *6.2-6.1 / 3.6-3.5*
Hz- *50*
Phase- *3*
S. F.- *-*

Shutter:
Material- *plastic w/ aluminum frame*
Doors- *16 per column*
Columns- *3*
Door length *17.9*
Location- *intake*

Blade:
Number- *3*
Shape- *propeller*
Material- *fiberglass*
Pitch- *-*
Clearance- *0.3"*

Blade:
Number- *3*
Shape- *propeller*
Material- *fiberglass*
Pitch- *-*
Clearance- *0.3"*

Drive Sheaves:
Drive dia.- *direct*
Axle dia.- *drive*

Housing:
Material- *fiberglass*

Discharge Cone:
Depth- *36.5"*
Minor dia.- *57.1"*
Major dia.- *70.5"*

Guards:
Description- *wire*
Spacing- *3.4" concentric*
Location- *exhaust*



Notes: *50 Hz test

Test Conditions:

T(wb) F: 65 Barometric pressure, recorded 29.33
T(db) F: 77 Barometric Pressure, corrected 29.20 (In. Hg)

Static Pressure (in.H2O)	Airflow (cfm)	rpm	Volts	Amps	Watts	cfm/Watt	SI Units			
							Static Pressure (Pa)	Airflow (m ³ /hr.)	(m ³ /hr)/W	W/1000m ³ /hr
0.00	30600	704	400.3	3.48	1608	19.0	0	51900	32.3	31
0.05	28900	702	400.2	3.54	1661	17.4	12	49100	29.6	34
0.10	27100	700	400.3	3.59	1696	16.0	25	46100	27.2	37
0.15	25000	699	400.4	3.62	1731	14.5	37	42500	24.6	41
0.20	22600	698	400.3	3.63	1735	13.0	50	38400	22.2	45
0.25	19900	698	400.4	3.61	1727	11.5	62	33800	19.6	51
0.30	14100	699	400.4	3.58	1699	8.3	75	24000	14.1	71



Yarak Safe Dell

雅 速 達

VENTILATION PRODUCTS FOR POULTRY & LIVESTOCK APPLICATION

University of Illinois Department of Agricultural and Biological Engineering
Bioenvironmental and Structural Systems Lab
Final Report

Project Number: 18492
Test Date: October 8, 2018

Fan:
Make- *Yah Suh Dar*
Model- *N-C300DL*
Blade dia.- *50"*
Orifice dia.- *50.8"*

Motor:
Make- *Yah Suh Dar*
Model- *BLDC*
Hp- *1100 W*
RPM- *680*
Volts- *220*
Amps- *6*
Hz- *50/60 Hz*
Phase- *Single*
S. F.- *-*

Shutter:
Material- *none*
Doors- *-*
Columns- *-*
Door length - *-*
Location- *-*

Blade:
Number- *3*
Shape- *propeller*
Material- *fiberglass*
Pitch- *-*
Clearance- *0.4"*

Drive Sheaves:
Drive dia.- *direct*
Axle dia.- *drive*

Housing:
Material- *fiberglass*

Guards:
Description- *wire*
Spacing- *1.8" concentric*
Location- *exhaust*

Discharge Cone:
Depth- *22.5"*
Minor dia.- *50.8"*
Major dia.- *56"*

Notes: *Single phase, 60 Hz, 220 VAC input to speed controller. Controller set at maximum speed setting.

Test Conditions:

T(wb) F: 64 Barometric pressure, recorded 29.41
T(db) F: 74 Barometric Pressure, corrected 29.29 (In. Hg)

Static Pressure (in.H2O)	Airflow (cfm)	rpm	Volts	Amps	Watts	cfm/Watt	SI Units			
							Static Pressure (Pa)	Airflow (m ³ /hr.)	(m ³ /hr)/W	W/1000m ³ /hr
0.00	21700	675	220.3	3.91	848	25.6	0	36900	43.5	23
0.05	20400	675	220.3	4.25	883	23.2	12	34700	39.4	25
0.10	19000	675	221.0	4.47	911	20.9	25	32300	35.5	28
0.15	17700	675	221.5	4.63	935	18.9	37	30000	32.1	31
0.20	16100	675	221.4	4.76	954	16.8	50	27300	28.6	35
0.25	13900	675	221.0	4.75	957	14.5	62	23600	24.6	41
0.30	10800	675	221.7	4.59	938	11.5	75	18300	19.5	51

University of Illinois Department of Agricultural and Biological Engineering
Bioenvironmental and Structural Systems Lab
Final Report

Project Number: 18493
Test Date: October 8, 2018

Fan:
Make- *Yah Suh Dar*
Model- *N-C300DL*
Blade dia.- *50"*
Orifice dia.- *50.8"*

Motor:
Make- *Yah Suh Dar*
Model- *BLDC*
Hp- *1100 W*
RPM- *680*
Volts- *220*
Amps- *6*
Hz- *50/60 Hz*
Phase- *Single*
S. F.- *-*

Shutter:
Material- *plastic w/ aluminum frame*
Doors- *14 per column*
Columns- *2*
Door length *25.3"*
Location- *intake*

Blade:
Number- *3*
Shape- *propeller*
Material- *fiberglass*
Pitch- *-*
Clearance- *0.4"*

Drive Sheaves:
Drive dia.- *direct*
Axle dia.- *drive*

Housing:
Material- *fiberglass*

Guards:
Description- *wire*
Spacing- *1.8" concentric*
Location- *exhaust*

Discharge Cone:
Depth- *22.5"*
Minor dia.- *50.8"*
Major dia.- *56"*

Notes: *Single phase, 60 Hz, 220 VAC input to speed controller. Controller set at maximum speed setting.

Test Conditions:

T(wb) F: 65.5 Barometric pressure, recorded 29.41
T(db) F: 75 Barometric Pressure, corrected 29.29 (In. Hg)

Static Pressure (in.H2O)	Airflow (cfm)	rpm	Volts	Amps	Watts	cfm/Watt	SI Units			
							Static Pressure (Pa)	Airflow (m ³ /hr.)	(m ³ /hr)/W	W/1000m ³ /hr
0.00	19900	675	220.7	4.14	887	22.4	0	33800	38.1	26
0.05	18700	675	220.1	4.40	912	20.5	12	31700	34.8	29
0.10	17200	675	220.3	4.57	934	18.4	25	29300	31.3	32
0.15	15600	675	220.2	4.70	951	16.4	37	26500	27.8	36
0.20	13700	675	220.1	4.73	955	14.4	50	23300	24.4	41
0.25	11300	675	221.8	4.83	962	11.7	62	19200	19.9	50
0.30	8500	675	221.4	4.83	969	8.8	75	14500	14.9	67



University of Illinois Department of Agricultural and Biological Engineering
Bioenvironmental and Structural Systems Lab
Final Report

Project Number: 18486
Test Date: September 27, 2018

Fan:
Make- *Yah Suh Dar*
Model- *N-C300DL*
Blade dia.- *50"*
Orifice dia.- *50.8"*

Motor:
Make- *Yah Suh Dar*
Model- *AC*
Hp- *1.5 (1.1 kW)*
RPM- *710*
Volts- *380*
Amps- *2.6*
Hz- *50*
Phase- *3*
S. F.- *-*

Shutter:
Material- *plastic w/ aluminum frame*
Doors- *14 per column*
Columns- *2*
Door length *25.3"*
Location- *intake*

Blade:
Number- *3*
Shape- *propeller*
Material- *fiberglass*
Pitch- *-*
Clearance- *0.4"*

Drive Sheaves:
Drive dia.- *direct*
Axle dia.- *drive*

Housing:
Material- *fiberglass*

Guards:
Description- *wire*
Spacing- *1.8" concentric*
Location- *exhaust*

Discharge Cone:
Depth- *22.5"*
Minor dia.- *50.8"*
Major dia.- *56"*

Notes: *50 Hz test

Test Conditions:

T(wb) F: 63 Barometric pressure, recorded 29.41
T(db) F: 79 Barometric Pressure, corrected 29.28 (In. Hg)

Static Pressure (in.H2O)	Airflow (cfm)	rpm	Volts	Amps	Watts	cfm/Watt	SI Units			
							Static Pressure (Pa)	Airflow (m ³ /hr.)	(m ³ /hr)/W	W/1000m ³ /hr
0.00	20900	710	381.0	2.56	1116	18.7	0	35500	31.9	31
0.05	19900	709	381.1	2.59	1134	17.5	12	33800	29.8	34
0.10	18500	708	381.0	2.62	1152	16.1	25	31400	27.3	37
0.15	17100	707	381.0	2.63	1169	14.6	37	29000	24.8	40
0.20	15300	706	381.0	2.65	1186	12.9	50	26000	21.9	46
0.25	13400	705	381.0	2.65	1192	11.3	62	22800	19.1	52
0.30	10100	704	381.0	2.67	1206	8.4	75	17200	14.2	70





E601D, E601B 產品功能及特點

- 畜舍專用52"大型負壓排風扇。
- 節能省電高效率。
- 可選配PMSM直流永磁馬達或AC皮帶式馬達。
- 52"風葉及外殼等金屬件，全機SUS304不鏽鋼。

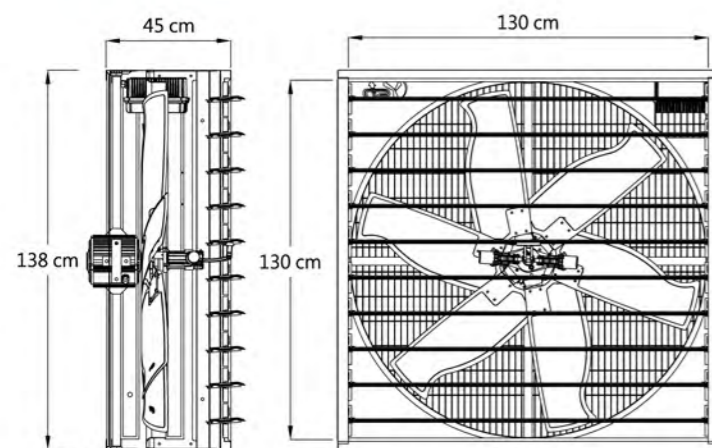
E601B-皮帶式



E601D-直驅式



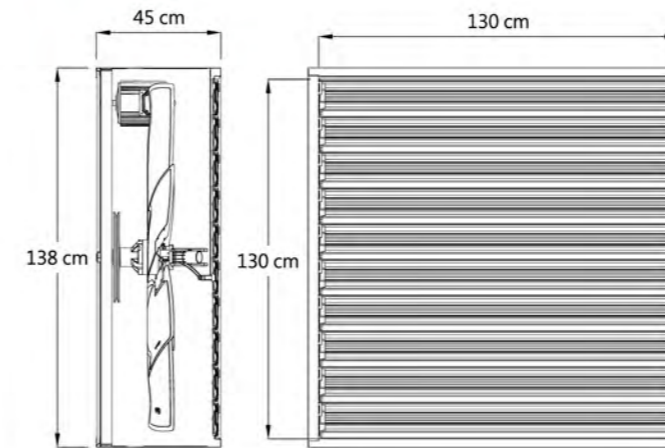
風扇尺寸圖



產品規格

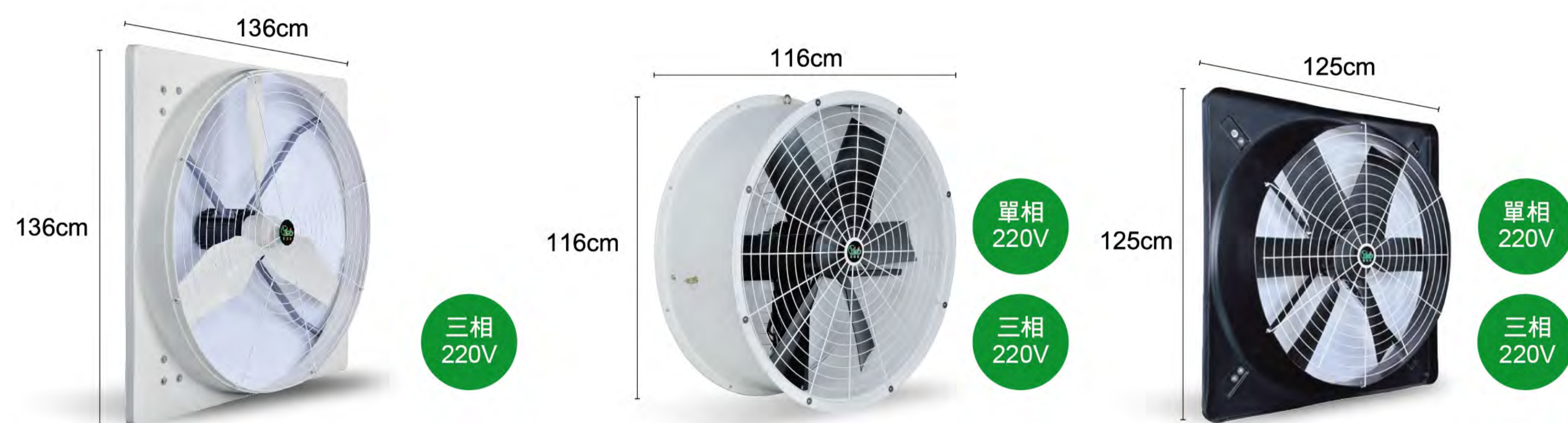
型號	E601D
外殼	SUS 304不鏽鋼外殼
風葉	52" 六葉SUS 304不鏽鋼風葉
馬達	1HP PMSM 直流永磁馬達，F級
極數	16 Pole
轉速	380 RPM
音量	70 dB (距 3m 測得)
電壓	3 φ 220V, 60Hz (可訂製)
電流	3.9 A
耗電量	980 w/hr
風量	38000 CMH
尺寸	L138xW45xH138cm
重量	90 kg

風扇尺寸圖



產品規格

型號	E601B
外殼	SUS 304不鏽鋼外殼
風葉	52" 六葉SUS 304不鏽鋼風葉
馬達	1HP，F級
極數	4 Pole
轉速	380 RPM
音量	70 dB (距 3m 測得)
電壓	3 φ 220V, 60Hz (可訂製)
電流	3.5 A
耗電量	1200 w/hr
風量	35000 CMH
尺寸	L138xW45xH138cm
重量	81.5 kg



型號	C301DN
外殼	玻璃纖維
風葉	50" 三葉玻璃纖維
馬達	1.5HP, F級
極數	10 Poles
轉速	670 RPM
音量	75 dB (距 3m 測得)
電壓	3 φ 220V, 60Hz (4.6A)
尺寸	L136xW47xH136 cm
重量	54 kg

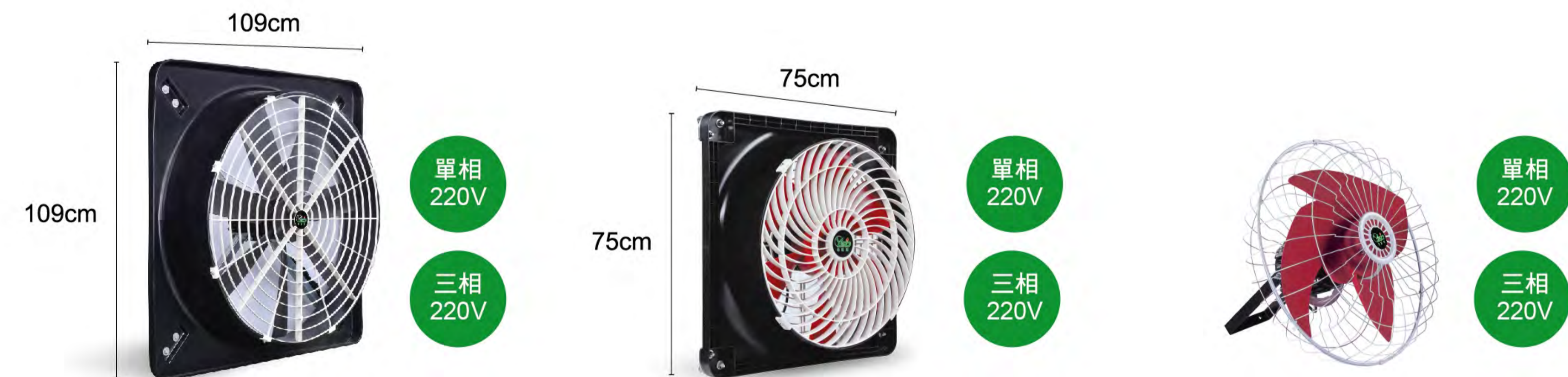
• 可選購不鏽鋼304支架、前護網

型號	M601-FRP
外殼	玻璃纖維
風葉	42" 六葉塑鋼
馬達	1HP, F級
極數	12 Poles
轉速	520 RPM
音量	60 dB (距 3m 測得)
電壓	1 φ 220V, 60Hz (5.4A) 3 φ 220V, 60Hz (5A)
尺寸	Φ116xW41 cm
重量	47 kg

• 可選購不鏽鋼304支架、前後護網

型號	D601D
外殼	PE
風葉	42" 六葉塑鋼風葉
馬達	1HP, F級
極數	12 Poles
轉速	520 RPM
音量	60 dB (距 3m 測得)
電壓	1 φ 220V, 60Hz (5.4A) 3 φ 220V, 60Hz (5A)
尺寸	L125xW40xH125 cm
重量	45 kg

• 可選購不鏽鋼304支架、前護網



型號	L701D
外殼	PE
風葉	36" 七葉塑鋼
馬達	3/4HP, F級
極數	10 Poles
轉速	670 RPM
音量	60 dB (距 3m 測得)
電壓	1 φ 220V, 60Hz (3.1A) 3 φ 220V, 60Hz (3A)
尺寸	L109xW30xH109 cm
重量	30 kg

• 可選購不鏽鋼304支架

型號	D24-FAN
外殼	PP
風葉	24" 六葉塑鋼
馬達	1/3HP, F級
極數	6 Poles
轉速	1140 RPM
音量	65 dB
電壓	1 φ 220V, 60Hz (2.9A) 3 φ 220V, 60Hz (1.5A)
尺寸	L75xW30.5xH75 cm
重量	21.5 kg

型號	D18-FAN
外殼	黑鐵烤漆網
風葉	18" 三葉塑鋼
馬達	1/6 HP, F級
極數	6 Poles
轉速	1120 RPM
音量	55 dB (距 3m 測得)
電壓	1 φ 220V, 60Hz (1.2A) 3 φ 220V, 60Hz (0.8A)
尺寸	Φ57xW31 cm
重量	7.5 kg

耐衝擊飼料盤



飼料盤-肉雞

飼料盤-土雞

品名	飼料盤-肉雞	飼料盤-土雞
直徑	Φ33 cm	Φ33 cm
底盤深度	7 cm	5.8 cm
材質	PP (耐衝擊)	PP (耐衝擊)



型號：原色 7090 型號：塗黑膠加固 7090

主要功能及特點

- 主要用於密閉室高溫炎熱場所。
- 透過冷卻交換板上之水份過濾空氣，使其達降溫效果。
- 入風/出風的溫差約4~6°C，環境溫度越高相對溫度越低，降溫效果越明顯。



水幕式降溫水簾牆

L	60 cm	長度
H	180 cm	高度
T	15 cm	寬度
α	45	氣流方向
β	45	氣流方向



Yarak Safe Deft

雅 速 達

VENTILATION PRODUCTS FOR **POULTRY & LIVESTOCK APPLICATION**



EXCELLENT WORK

